

## Main Features:-

- ◆ Butterfly valve Lug Type
- ◆ 2" to 24", ANSI 125/150 Flanges
- ◆ Handle: Alu. (2"to5"), Cast Iron (6"to10")
- ◆ Working Temperature -20°C to +120C \*
- ◆ 235 PSI (2" to 12"), 150 PSI (14" to 24")

\*Temperature and pressure determined by valve body, seat etc.



## SERIES: 80104

MANUFACTURER: **GENEBRE**

### Suitable Applications & Approvals:



HVAC



OIL



GAS

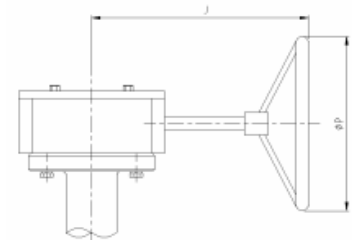
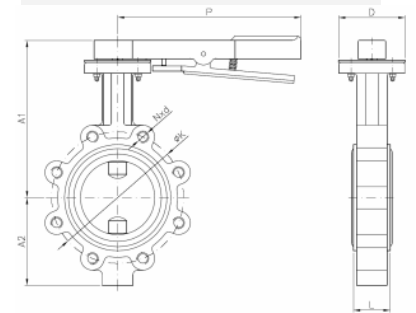
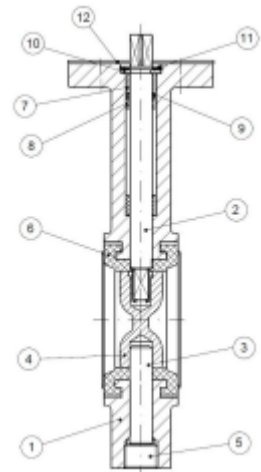


INDUSTRY

VALVE MATERIALS/DIMENSIONS

ITEM	SECTION	MATERIAL	ADDITIONAL INFO / OPTIONS
1	Body	Ductile Iron GJS-400	Epoxy Painted
2	Stem	AISI 416	n/a
3	Pivot	AISI 416	n/a
4	Disc	SS 1.4408	Shot Blasting
5	Plug	Carbon Steel	Zinc Plated
6	Seat	EPDM	Spare Pat Number E2109
7	Bush	PTFE + Graphite	n/a
8	Bush	PTFE + Graphite	n/a
9	O'Ring	NBR	n/a
10	Washer	Bronze	n/a
11	Stop Ring	Carbon Steel	Zinc Plated

REF	Size	L	A1	A2	D	P	Nxd	Kg	J	ØK
80104-09	2"	43	240	79	90	216	4x5/8"-11	4.5	-	121
80104-10	2 1/2"	46	240	93	90	216	4x5/8"-11	5	-	139.7
80104-11	3"	46	245	103	90	216	4x5/8"-11	5.2	-	152.4
80104-12	4"	52	265	120	90	216	8x5/8"-11	8.2	-	190.5
80104-13	5"	56	290	133	90	216	8x3/4"-11	10	-	215.9
80104-14	6"	56	240	158	125	300	8x3/4"-11	13.5	-	241
80104-16	8"	60	280	180	125	300	8x3/4"-11	17.5	-	298.4
80104-18	10"	68	325	216	125	300	12x7/8"-9	28.2	-	361.9
80104-20	12"	78	351	251	150	290	12x7/8"-9	53	-	431.8
80104-22	14"	78	346	262	150	Ø290	12x1"-8	69	240	476.3
80104-24	16"	102	375	301	175	Ø290	16x1"-8	97	257	539.8



T +44 (0)1386 552369

E sales@allvalves.co.uk

W www.allvalves.co.uk

F +44 (0)1386 554227

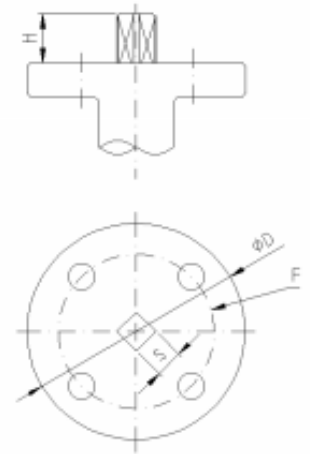


Genebre are a global brand of industrial valves with large stocks held for fast delivery on various type of valves, sizes, end connections and materials.

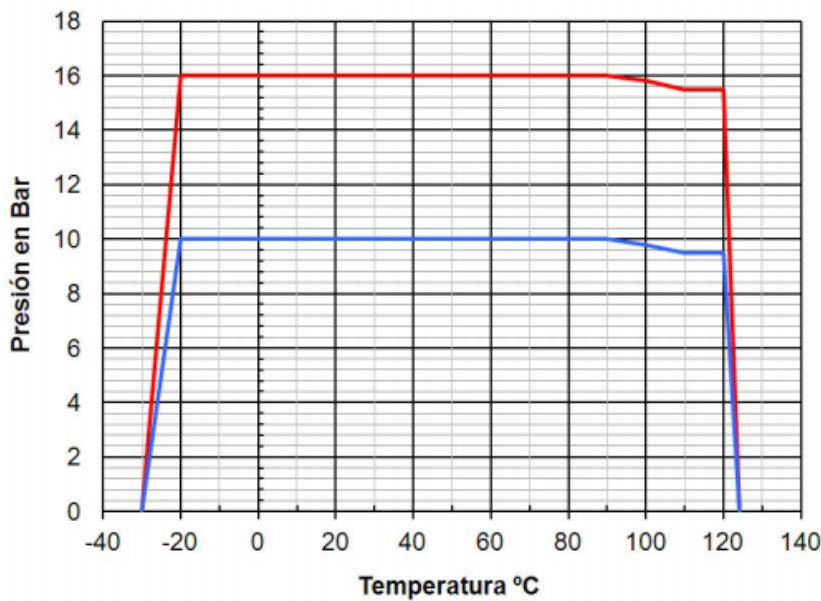
**SERIES: 80104**

DISC POSITION/PRESSURE CHART

REF	Size	ISO	S	D	H	Torque
80104-09	2"	F07	11	90	30	12
80104-10	2 1/2"	F07	11	90	30	20
80104-11	3"	F07	11	90	30	27
80104-12	4"	F07	14	90	30	40
80104-13	5"	F07	14	90	30	60
80104-14	6"	F07-F10	17	125	30	90
80104-16	8"	F07-F10	17	125	30	120
80104-18	10"	F10	22	125	40	180
80104-20	12"	F10-F12	22	150	40	240
80104-22	14"	F12	22	150	45	610
80104-24	16"	F14	27	175	45	805

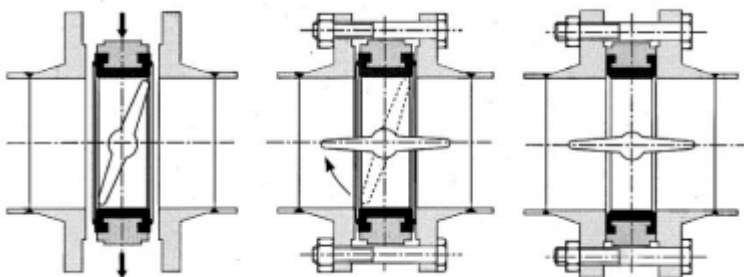


### PRESSURE TEMPERATURE RATING



### ALL VALVES

AllValves Online™ have used decades of experience in the valve industry to select a range of products that match the Allvalves Online ethos - value for money. All Valves Products are from reputable sources and have been sold in significant quantities for many years, are installed in a wide variety of applications, and are known to be durable in service.



T +44 (0)1386 552369

E sales@allvalves.co.uk

W www.allvalves.co.uk

F +44 (0)1386 554227



Genebre are a global brand of industrial valves with large stocks held for fast delivery on various type of valves, sizes, end connections and materials.

**SERIES: 80104**

DISC POSITION/PRESSURE CHART

Size	Disc Position Kv Values								
	90°	80°	70°	60°	50°	40°	30°	20°	10°
2"	144	114	84	61	43	27	16	7	1
2 1/2"	282	223	163	107	67	43	24	11	1.5
3"	461	364	267	154	96	61	35	15	2
4"	841	701	496	274	171	109	62	27	3
5"	1376	1146	775	428	268	170	98	43	5
6"	1850	1542	1025	567	354	225	129	56	6
8"	3316	2842	1862	10081	680	421	241	102	12
10"	5430	4525	2948	1710	1076	667	382	162	19
12"	8077	6731	4393	2563	1594	1005	555	235	27
14"	10538	8874	5939	3384	2149	1320	756	299	34
16"	13966	11761	7867	4483	2847	1769	1001	397	45



**T** +44 (0)1386 552369

**E** sales@allvalves.co.uk

**W** www.allvalves.co.uk

**F** +44 (0)1386 554227